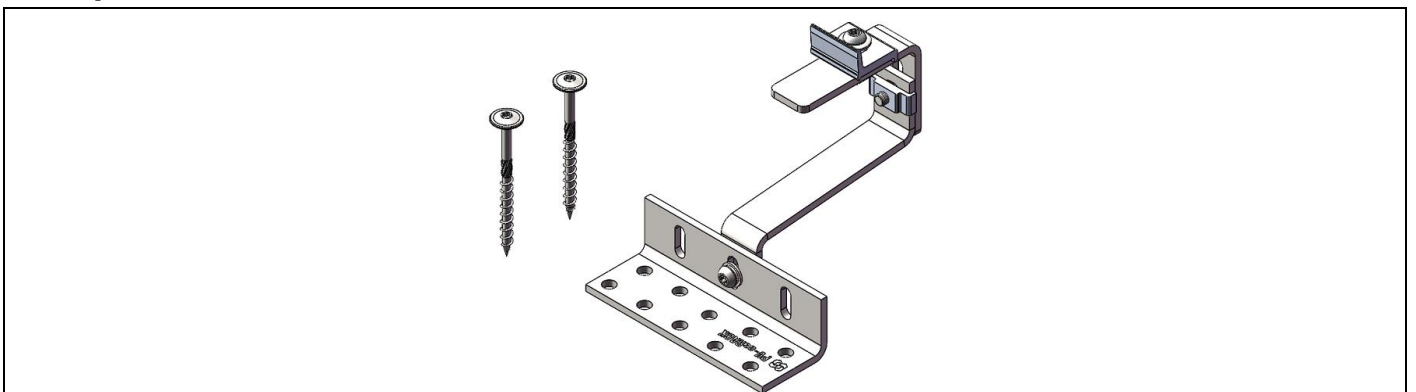


## Two way Adjustable Roof Hook H121V

### Assembly

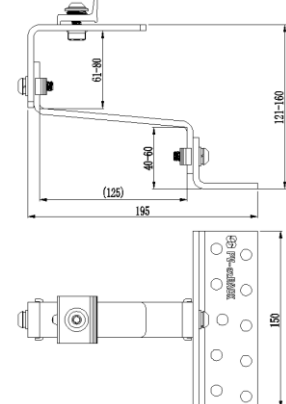


### Component



Two way Adjustable Roof Hook H121V with 125mm horizontal arm , with DC Rail Clamp  
Part No.: ER-I-PRO/DC/51DA (barcode: 12-003-00175)

### Technical Specification

Application	Tile Roof with Timber Purlin	
Screw Specification	2 x Wood screws 8*100, T40, Electro Galvanised	
Dimensions	L195*W150*H121-160mm	
Weight	1.057 kg	
Packaging	10 units per pack, 2 packs (20 units) per carton	
Material	Roof Hook: SUS304 Bolts/Washer/Nuts: SUS304 U-shaped shim/Cross Connector for DC Rail 50: AL6005-T5	
Standard	GB50797   AS NZS1170.2   EN1991   JISC8955   ASCE 7-10	